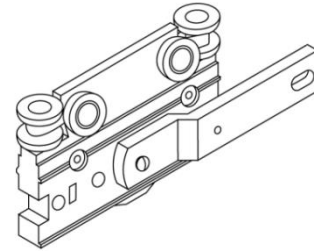
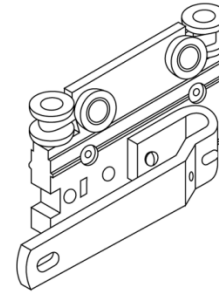


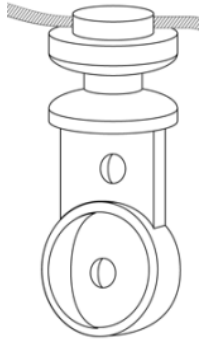
■ Drapery Track



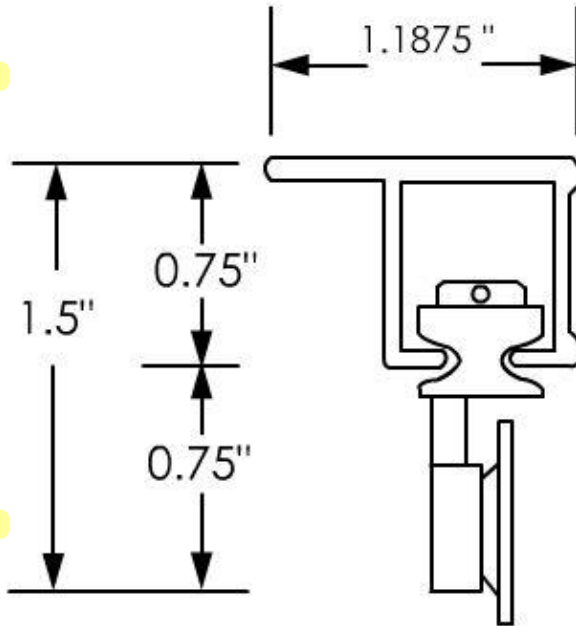
■ Left Hand Baton Master



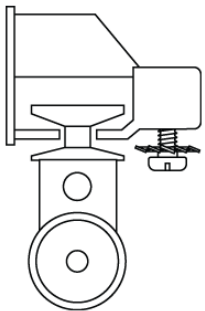
■ Right Hand Baton Master



■ Ripple Fold Carrier



■ Drapery Track and Carrier



■ End Stop

COMPONENTS

Cubicle Track:
 3000 Series Drapery Track Baton Draw

Carrier:
 Ripple Fold Carrier

Other Parts:
 End Stop, Right Hand Baton Master, Left Hand Baton Master

SPECIFICATIONS

- Aluminum alloy with white baked enamel or anodized aluminum.
- Track channel available in straight continuous lengths up to 18 feet.
- Comparable to 94004 series from kirsh

**3000 SERIES RIPPLE FOLD
 DRAPERY TRACK
 (BATON DRAW)**

Project:

Date:

Scale:

Dimensions:

By:
