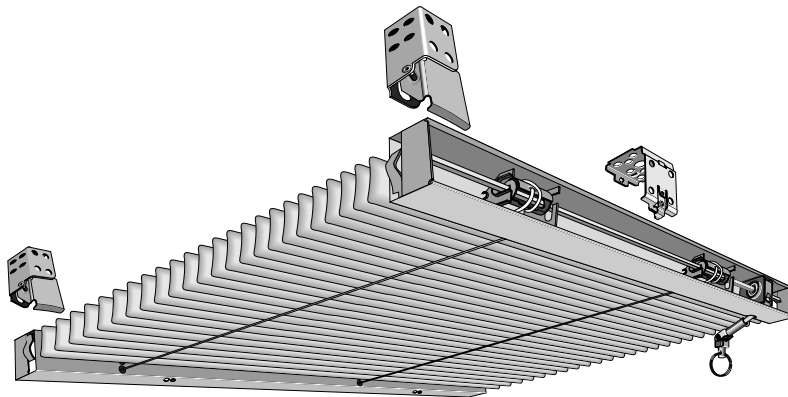


LEVOLOR®

Riviera® Skylight 1" Blind

Model #RIV1-S

Top quality 1" horizontal aluminum window covering for 45° plus window applications.



KEY FEATURES:

- Tilt capability
- Easy-to-use universal tilter ring and telescopic tilter pole
- Guardian Tilter disengaging clutch mechanism
- Invisible guide wires
- Concealed guide wire tension adjusters

PRODUCT OVERVIEW

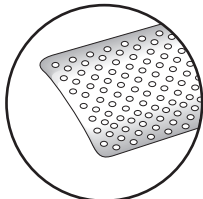
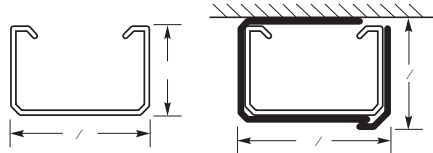
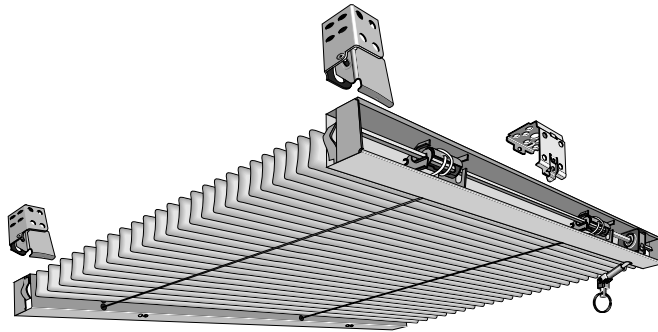
The Riviera Skylight 1" Blind represents one of Levolor's most popular top quality specialty horizontal blinds backed by a limited lifetime warranty. The Skylight blind can accommodate windows with a 45° angle from the vertical or greater all the way through the traditional horizontal skylight. The Skylight feature tilt capability with the Universal Tilter Ring making tilting the slats quite simple through the use of the telescopic tilter pole.

The Skylight blind further includes the exclusive Guardian Tilter disengaging clutch mechanism which eliminates over rotation of the tilt wand and protects the tilt mechanism against breakage.

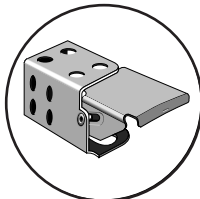
The Skylight invisible guide wires travel with the ladders, which along with the 21.5mm ladder spacing, ensure tight closure, superior light control, and eliminate the need for additional holes. The guide wires also come pre-installed making blind installation quick, easy and cost effective. The unique adjusters, concealed within the headrail, enable the wires to be easily lengthened or shortened in the field with a turn of a supplied 1/8" Allen wrench.

The Skylight blind utilizes standard Riviera 1" components — from the durable, sleek headrail and bottomrail to the high quality slats guaranteeing the overall Levolor quality and is offered in a large selection of popular colors. The SheerView perforation option provides a unique see-through feature, reducing solar heat gain up to 42% as compared to a fully opened blind while optimizing the exterior view and maximizing light/glare control.

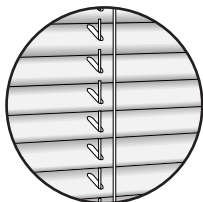
Riviera® Skylight 1" Blind



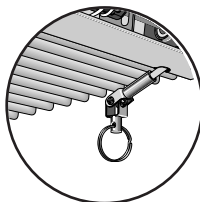
SheerView



Open End Bracket



Hidden Guide/Wire Detail



Ring Tilter

PRODUCT SPECIFICATIONS

For more detailed specifications please reference Riviera Skylight 1" Blind product Guide Specifications.

Part II – Products

A. Riviera Skylight 1" Blind manufactured by Levolor (model #RIV1-S)

B. Limited Lifetime Warranty

C. Materials:

- Headrail** shall be of .025" thick painted steel, "U" shaped, 1" high x 1 1/8" wide. All hardware shall be enclosed in the metal headrail.
- Guardian Tilter** mechanism shall be of a .042" thick Tomized steel housing with a self-lubricating nylon, automatically disengaging mechanism to eliminate overdrive.
- Installation Brackets** shall be of at least .048" thick painted steel with a rivet-hinged safety locking front cover to permit removal of headrail without lateral movement.
- Ladders** (slat supports): Distance between slats shall not exceed 21.5mm.
- Slats** shall be of 5000 series magnesium aluminum alloy only. Slats shall be nominally 1" wide and the thickness of the slats shall be nominally .008". All fanned slats are positively attached to the blind lift cord. Slats shall be (select one):
 - a. Unperforated.
 - b. SheerView —Slats shall be perforated with a staggered pattern of .020" diameter holes, nominally 177 per inch of slat length. Slats shall have an openness factor of 6%.
- Operation:** Blind shall have full tilt capability and lift to bottom of headrail.
- Options** shall include:
 - a. Restrictive Cam Tilter
 - b. Special Installation Brackets

LEVOLOR
A **NewellRubbermaid** Company

Levolor Kirsch Window Fashions
4110 Premier Drive
High Point, NC 27265

Contract Customer Service
1-800-826-8021
www.levolorcontract.com

©2009 Levolor. All rights reserved. US and non-US patents and patents pending. Product specifications are subject to change without notice. Printed in the USA.